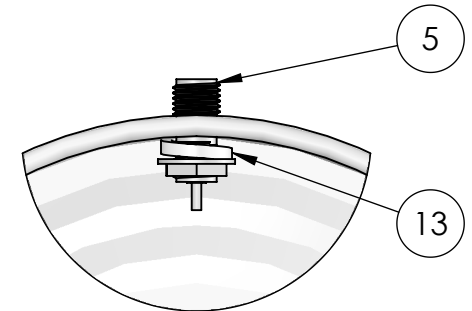
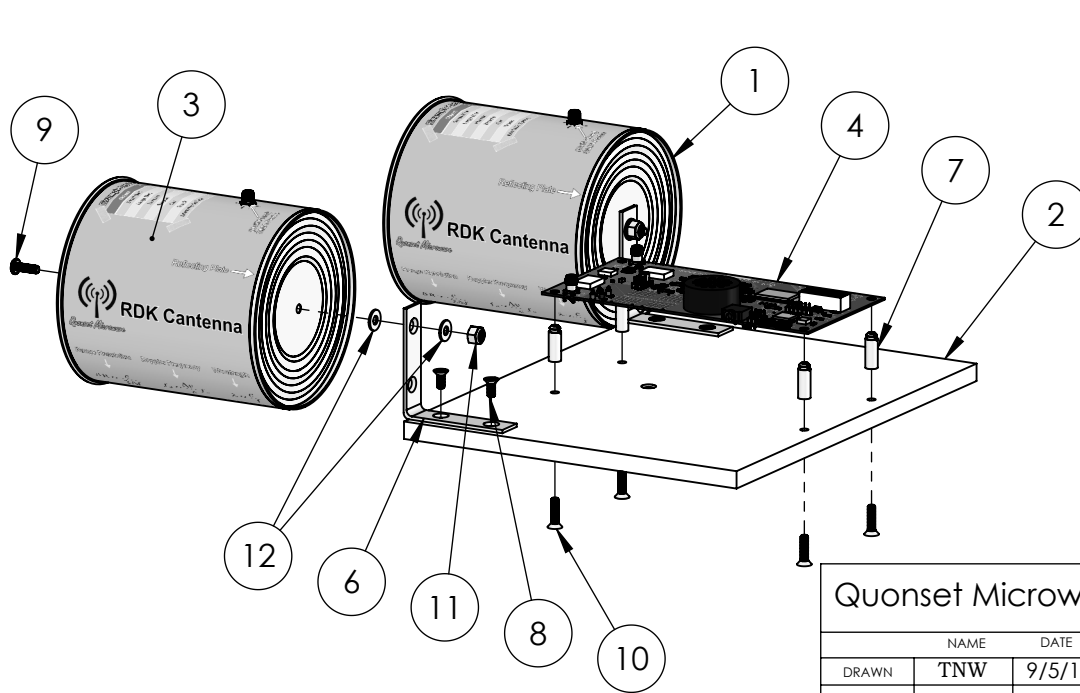
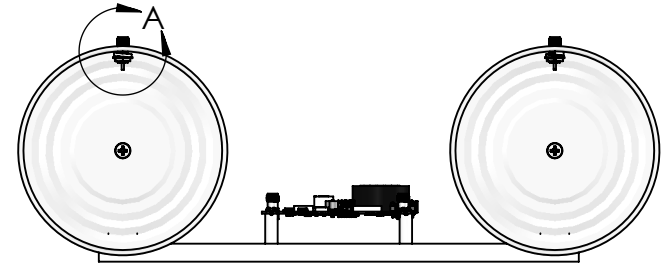


QUONSET MICROWAVE PROPRIETARY. ANY REPRODUCTION WITHOUT WRITTEN PERMISSION OF QUONSET MICROWAVE IS PROHIBITED.

ITEM NO.	PART NUMBER	DESCRIPTION	QTY.
1	QM4004S-10-001	Radar Kit Can Antenna	2
2	QM4004S-10-002	Radar Kit Plastic Base Plate (Kit 2 & 3 Only)	1
3	QM4004S-10-003	Radar Kit Cantenna Sticker	2
4	QM4004S-00-004	Radar Kit RDK Board	1
5	132137	Amphenol SMA Bulkhead Jack	2
6	15705A11	Bracket, Zinc-Plated Steel, 2-3/8" Length (McMaster Carr)	2
7	8834	Insulated PC Stacking Spacer	4
8	91771A192	#8-32 X 3/8" 18-8 SS Flat Head Phillips Screw (McMaster Carr)	4
9	91772A194	#8-32 X 1/2" 18-8 SS Pan Head Phillips Screw (McMaster Carr)	2
10	91771A196	#8-32 X 5/8" 18-8 SS Flat Head Phillips Screw (McMaster Carr)	4
11	91831A009	#8-32 Thread 18-8 SS Nylon-Insert 11/32" Hex Locknut	2
12	98019A326	#8 Screw 300 SS Washer, .44" OD, .04-.07" Thickness	4
13	98437A110	1/4" Screw 18-8 SS Split Washer, .37" OD, .07" Thickness	2



DETAIL A
SCALE 1 : 1

Quonset Microwave North Kingstown, RI 02852 401-267-8750 www.QuonsetMicrowave.com sales@QuonsetMicrowave.com			Part Number QM4004	
NAME DATE MATERIAL DRAWN TNW 9/5/13 CHECK APPROVED PART FORMAT SLDASM SW2013			TITLE Radar Demonstration Kit	
DIMENSIONS ARE IN INCHES UNLESS OTHERWISE SPECIFIED TOLERANCES: DECIMAL : .XX ± .01 .XXX ± .005			SCALE 1:4	DWG. NO. QM4004D
			SIZE A	REV. 03.02
			CAGE CODE 5T5B8	SHEET 1 OF 1