



*QM1004-26-40 | 26 to 40 GHz Frequency Converter – 1 Channel Transmit & 1 Channel Receive*

**Typical Applications**

- Millimeter-Wave (mmW) Frequency Conversion
- Laboratory Test Equipment
- Digital Receiver Exciter (DREX) Systems
- Digital RF Memory (DRFM) Kernel
- Communication systems, SATCOM
- EW, ELINT, SIGINT
- Wideband systems
- Phased array antenna systems
- Radar systems

**mmW Frequency Range**

QM1004-26-40                      26 to 40 GHz

**IF Frequency Range**

Base Unit	750 to 1250 MHz
Option 200	50 to 550 MHz
Option 201	50 to 90 MHz
Option 204	100 to 1100 MHz
Option 205	2000 to 3000 MHz
Option 206	500 to 1500 MHz
Option 211	Both 50-550 AND 50-90 MHz



**QM1004-26-40 with Option 100, 200, 1U 19" Rack-Mount**



**QM1004-26-40 in Optional Outdoor Unit Form-Factor**

**Features**

- Provides a single channel of upconversion and downconversion in a single unit
- Base Option 100 provides internal LO generation with USB and TCP/IP control
- Up to 1 GHz instantaneous bandwidth
- Option for external LO tuning
- Independent (110) or common channel frequency control available on dual channel systems
- Frequency agile across entire tunable band

**Form-Factor**

- 1U 19" Rack module
- Optional weather-tight outdoor unit (11.81"x16.90"x4.76")

**General Description**

The QM1004-26-40 Wideband Frequency Converter is an frequency agile mmW receiver-exciter unit capable of producing and receiving frequencies centered between 26 and 40 GHz with up to 1 GHz of instantaneous bandwidth. The QM1004 series of frequency converters combines a single channel of upconversion and downconversion from Quonset Microwave's QM1002 and QM1003 series of frequency converters in a single unit. The intermediate frequency (IF) for both the receiver and exciter channels is typically centered at 1 GHz

For price, delivery, and to place orders, please contact Quonset Microwave:  
315 Commerce Park Road, Unit 3, North Kingstown, RI 02852 Phone: 401-295-0062



**Quonset Microwave**  
www.quonsetmicrowave.com

## **QM1004-26-40** **26-40 GHz Combined mmW** **Up-Down Converter**

---

(750 to 1250 MHz), with an optional (OPT 200) third stage to further convert down to 50-550 MHz or to 50-90 MHz with OPT 201, or 500-1500 MHz with OPT 206.

QM1004 Series frequency converters now come standard with internally generated LOs (formerly Option 100). Option 205 provides conversion from 2000 to 3000 MHz, which is useful for interfacing to the National Instruments Vector Signal Transceiver (VST). A variable attenuator is included standard at the mmW input to the downconversion path. A switched LNA is included on the upconverter with Options 200, 201, 204, 205, 206, 211. An optional parallel TTL interface is provided on the back panel for fast tuning through a parallel DB-37 connector.

The QM1004-26-40 is controlled via USB or TCP/IP and uses VISA control drivers with the USBTMC protocol, enabling seamless integration into Windows®, Linux®, and Macintosh® environments. A Windows® GUI is provided.

All QM1004 Series specifications are customizable upon request. Please contact [sales@quonsetmicrowave.com](mailto:sales@quonsetmicrowave.com) for more information. Detailed performance specifications are also available upon request.



**Quonset Microwave**  
www.quonsetmicrowave.com

**QM1004-26-40**  
**26-40 GHz Combined mmW**  
**Up-Down Converter**

**Electrical Specifications Base Unit without Option 200, 201, 204, 205, 206, 211 selected**  
***Upconverter/Transmitter Channel***

Parameter	Min.	Typ.	Max.	Units
IF Input Center Frequency	750	1000	1250	MHz
mmW Output Frequency Range	26		39.5	GHz
Instantaneous Usable Bandwidth		500		MHz
IF Ripple (+/- 250 MHz)		6	10	dB
Gain, 2-18 GHz	25		40	dB
Noise Figure (NF)		12	14	dB
Input P1dB, 26-40 GHz		-6		dBm
Output P1dB, 26-40 GHz	20	23	28	dBm
Phase Noise, 1 KHz Offset	-82	-78	-72	dBc/Hz
Phase Noise, 10 KHz Offset	-81	-80	-77	dBc/Hz
Phase Noise, 100 KHz Offset	-79	-77	-76	dBc/Hz
Phase Noise, 1 MHz Offset	-103	-106	-106	dBc/Hz
Phase Noise, 10 MHz Offset	-120	-120	-119	dBc/Hz
Harmonics (-30 dBm input)			-40	dBc
In-Band Spurious, +/- 250 MHz		-60	-50	dBc
Wideband Spurious, 2-18 GHz		-50		dBc
SFDR (Two-tone test)		50		dB

***Downconverter/Receiver Channel***

Parameter	Min.	Typ.	Max.	Units
IF Output Center Frequency	750	1000	1250	MHz
mmW Input Frequency Range	26		39.5	GHz
Instantaneous Usable Bandwidth		500		MHz
IF Ripple (+/- 250 MHz)		6		dB
Gain, 26-40 GHz	25		40	dB
Noise Figure (NF),		8		dB
Input P1dB, 2-18 GHz		-25		dBm
Output P1dB, 2-18 GHz		12		dBm
Phase Noise, 1 KHz Offset	-75	-72	-70	dBc/Hz
Phase Noise, 10 KHz Offset	-82	-77	-75	dBc/Hz
Phase Noise, 100 KHz Offset	-79	-77	-76	dBc/Hz
Phase Noise, 1 MHz Offset	-106	-105	-104	dBc/Hz
Phase Noise, 10 MHz Offset	-118	-117	-117	dBc/Hz
In-Band Spurious, +/- 250 MHz		-50	-50	dBc
SFDR (Two-tone test)		50		dB

For price, delivery, and to place orders, please contact Quonset Microwave:  
315 Commerce Park Road, Unit 3, North Kingstown, RI 02852 Phone: 401-295-0062



**Electrical Specifications Base Unit with Option 205 selected**  
***Upconverter/Transmitter Channel***

Parameter	Min.	Typ.	Max.	Units
IF Input Center Frequency	2000	2500	3000	MHz
mmW Output Frequency Range	26		40	GHz
Instantaneous Usable Bandwidth		1000		MHz
IF Ripple (+/- 250 MHz)		6	10	dB
Gain, 26-40 GHz, LNA In	15		25	dB
Gain, 26-40 GHz, LNA Out	0		10	
Noise Figure (NF), LNA In		12	14	dB
Noise Figure (NF), LNA Out		20		dB
Input P1dB, 26-40 GHz, LNA In		-6		dBm
Input P1dB, 26-40 GHz, LNA Out		6		dBm
Output P1dB, 26-40 GHz, Atten= 0 dB	10	15	20	dBm
Phase Noise, 1 KHz Offset	-82	-78	-72	dBc/Hz
Phase Noise, 10 KHz Offset	-81	-80	-77	dBc/Hz
Phase Noise, 100 KHz Offset	-79	-77	-76	dBc/Hz
Phase Noise, 1 MHz Offset	-103	-106	-106	dBc/Hz
Phase Noise, 10 MHz Offset	-120	-120	-119	dBc/Hz
Harmonics (-30 dBm input)			-40	dBc
In-Band Spurious, +/- 500 MHz		-60	-50	dBc
Wideband Spurious, 26-40 GHz		-40		dBc
SFDR (Two-tone test)		50		dB

***Downconverter/Receiver Channel***

Parameter	Min.	Typ.	Max.	Units
IF Output Center Frequency	2000	2500	3000	MHz
mmW Input Frequency Range	26		40	GHz
Instantaneous Usable Bandwidth		1000		MHz
IF Ripple (+/- 250 MHz)		6		dB
Gain, 26-40 GHz	25		40	dB
Noise Figure (NF)		8		dB
Input P1dB, 26-40 GHz, Atten= 0 dB		-25		dBm
Output P1dB, 26-40 GHz		12		dBm
Phase Noise, 1 KHz Offset	-75	-72	-70	dBc/Hz
Phase Noise, 10 KHz Offset	-82	-77	-75	dBc/Hz
Phase Noise, 100 KHz Offset	-79	-77	-76	dBc/Hz
Phase Noise, 1 MHz Offset	-106	-105	-104	dBc/Hz
Phase Noise, 10 MHz Offset	-118	-117	-117	dBc/Hz
In-Band Spurious, +/- 500 MHz		-50	-50	dBc
SFDR (Two-tone test)		50		dB



**Electrical Specifications Base Unit with Option 204 selected**  
***Upconverter/Transmitter Channel***

Parameter	Min.	Typ.	Max.	Units
IF Input Center Frequency	100	600	1100	MHz
mmW Output Frequency Range	26		40	GHz
Instantaneous Usable Bandwidth		1000		MHz
IF Ripple (+/- 250 MHz)		6	10	dB
Gain, 26-40 GHz, LNA In	15		25	dB
Gain, 26-40 GHz, LNA Out	0		10	
Noise Figure (NF), LNA In		12	14	dB
Noise Figure (NF), LNA Out		20		
Input P1dB, 26-40 GHz, LNA In		-6		dBm
Input P1dB, 26-40 GHz, LNA Out		6		dBm
Output P1dB, 26-40 GHz, Atten= 0 dB	10	15	20	dBm
Phase Noise, 1 KHz Offset	-82	-78	-72	dBc/Hz
Phase Noise, 10 KHz Offset	-81	-80	-77	dBc/Hz
Phase Noise, 100 KHz Offset	-79	-77	-76	dBc/Hz
Phase Noise, 1 MHz Offset	-103	-106	-106	dBc/Hz
Phase Noise, 10 MHz Offset	-120	-120	-119	dBc/Hz
Harmonics (-30 dBm input)			-40	dBc
In-Band Spurious, +/- 500 MHz		-60	-50	dBc
Wideband Spurious, 26-40 GHz		-40		dBc
SFDR (Two-tone test)		50		dB

***Downconverter/Receiver Channel***

Parameter	Min.	Typ.	Max.	Units
IF Output Center Frequency	100	600	1100	MHz
mmW Input Frequency Range	26		40	GHz
Instantaneous Usable Bandwidth		1000		MHz
IF Ripple (+/- 250 MHz)		6	10	dB
Gain, 26-40 GHz	25		40	dB
Noise Figure (NF)		8		dB
Input P1dB, 26-40 GHz, Atten= 0 dB		-25		dBm
Output P1dB, 26-40 GHz		12		dBm
Phase Noise, 1 KHz Offset	-75	-72	-70	dBc/Hz
Phase Noise, 10 KHz Offset	-82	-77	-75	dBc/Hz
Phase Noise, 100 KHz Offset	-79	-77	-76	dBc/Hz
Phase Noise, 1 MHz Offset	-106	-105	-104	dBc/Hz
Phase Noise, 10 MHz Offset	-118	-117	-117	dBc/Hz
In-Band Spurious, +/- 500 MHz		-50	-50	dBc
SFDR (Two-tone test)		50		dB



**Quonset Microwave**  
www.quonsetmicrowave.com

**QM1004-26-40**  
**26-40 GHz Combined mmW**  
**Up-Down Converter**

***Upconverter and Downconverter Common Specifications***

Parameter	Min.	Typ.	Max.	Units
Operating Voltage		+12		VDC
Current Draw			5	Amps
Tune Frequency Step Size				
Integer Mode*		400		MHz
Fractional Mode		100		KHz
LO1 Input Frequency Range	10		20	GHz
LO1 Input Power		0		dBm
External Reference Input	10		400	MHz
External Reference 1 Output		100		MHz
External Reference 2 Output		10		MHz

\* With use of the internal 20 MHz reference with a reference divider of 1



### Options Overview

To provide flexibility for system integration, the QM1004-26-40 series of receiver-exciter have multiple configuration options that pertain to three categories – (1) Local Oscillator (LO) generation, (2) Independent vs. common channel control for dual channel systems, (3) IF frequency modifications. An internal common LO (Option 100) is not included with the Base system.

To select options related to LO generation and independent/common channel control, the following option codes are provided.

Option Code	Description
100 (Base System)	With the Base System (Option 100), a common LO1 and LO2 are included in the unit. Both a USB Type-A connector and an RJ-45 (TCP/IP) connector are added to the back panel for LO control. In dual channel systems with the Base Option Code 100 selected, LOs are common, meaning both channels (up- and downconversion) are always tuned to the same frequency.
110	When Option 110 is specified, separate independent LOs are included for the upconverter and downconverter.
200	The IF input/output is changed to 50-550 MHz.
201	The IF input/output is changed to 50-90 MHz.
204	IF input/output is 100-1100 with 1 GHz IF BW
205	The IF input/output is 2000 to 3000 MHz with 1 GHz instantaneous bandwidth.
206	IF input/output is 500-1500 with 1 GHz IF BW
211	Supports BOTH 25-90 MHz and 50-550 MHz IF input/output (switchable 40/500 MHz BW)





**QM1004 Series System Block Diagrams**

For the Base System (*Option 100*), LO1 and LO2 frequencies are generated internally. The LOs are PLL based and require a reference clock and digital control. Figure 1 depicts the system elements for the Base System (Option 100) with internal LOs. The LOs are controlled digitally via a microcontroller, which interfaces to a PC through USB or TCP/IP. The microcontroller outputs basic status messages on a 32-character Liquid Crystal Display (LCD) mounted on the faceplate of the unit. An internal OCXO low phase noise reference clock is phase-locked to all of the internal the LOs, with a BNC-F connector providing the option for LOs to lock to a user-provided external reference in the range of 10-400 MHz. A second and third BNC-F connector outputs an internally-generated 10 MHz and 100 MHz references used by the LOs for daisy chaining multiple pieces of equipment. Switching between the internal and external LO reference clocks is controlled by the microcontroller and a reference selector switch. The LO1 signal may be provided externally, and the selection between internal and external LO1 is provided by a back-panel switch. A DB-37 connector is provided on the back panel for optional fast-tuning that is controlled by an external TTL signal.

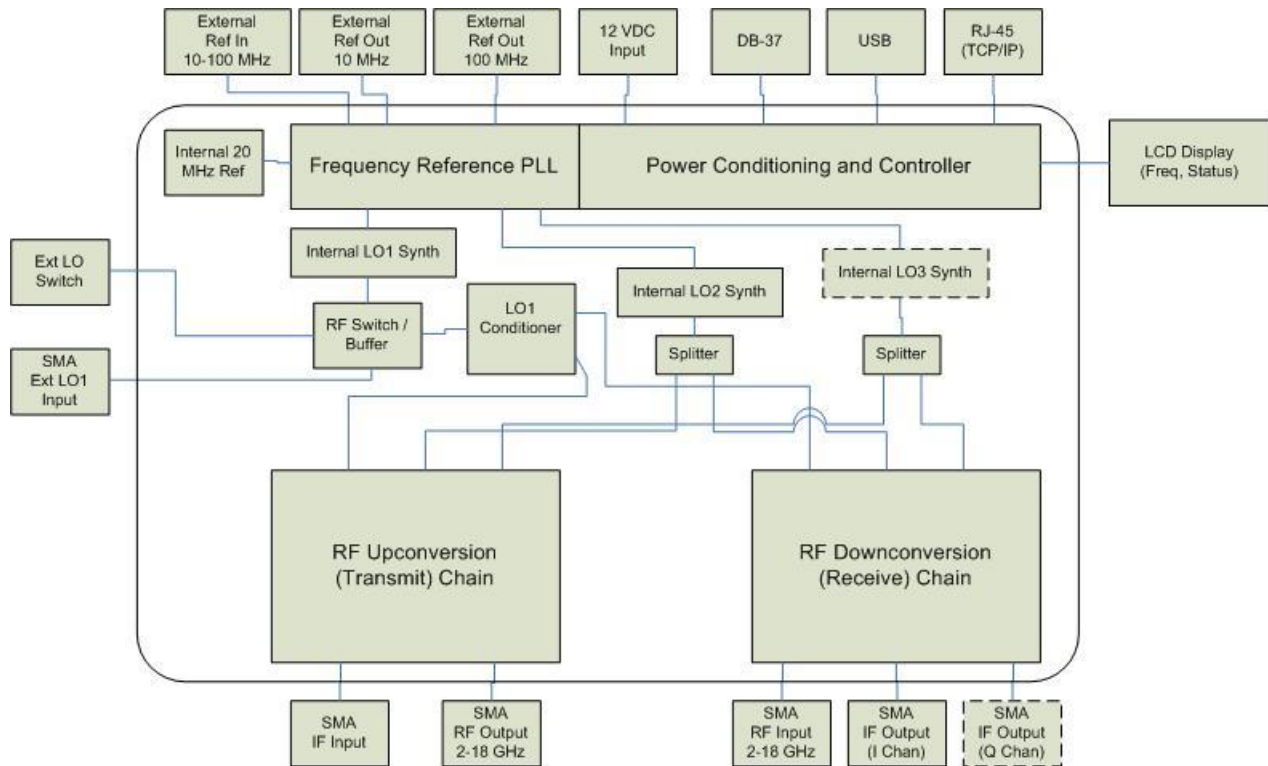


Figure 1. QM1004-26-40 block diagram for the Base System (Option 100) with optional third LO for optional third conversion stage (Options 200 or 201) shown in dashed line.

**mmW Signal Chain**

QM1004 Series Wideband Combined mmW Up-Down Converters use a dual stage conversion architecture to convert frequencies up and down from a 1 GHz center-frequency IF (or 300 MHz with Option 200 and 70 MHz with Option 201) to a mmW frequency centered between 26 and 40 GHz. For details on the mmW conversion signal chain, please contact sales@quonsetmicrowave.com.





In order to control the mmW transmit/receive frequency, the internal LO1 synthesizer is tuned using either the provided Windows GUI or using VISA interface commands. Optionally, an external LO1 signal may be provided.

### Option 200/201 IF Signal Chain Modifications

Option 200 moves the IF from 750-1250 MHz down to 50-550 MHz and to 50-90 MHz for Option 201. This modification requires a third frequency conversion stage which converts the 1 GHz output IF to an IF output frequency centered at 300 MHz (Option 200) or 70 MHz (Option 201). A switchable 40/500 MHz Bandwidth is provided by selection Option 211, which provides BOTH 50-550 MHz (500 MHz BW) and 50-90 MHz (40 MHz BW) output. A 1 GHz BW output is provided with Option 206, where the IF input/output is 500-1500 MHz, and option 204 provides 1 GHz BW from 100-1100 MHz. As with all QM1004 series frequency converter units, knowledge of the LO input frequencies and frequency plan calculation is only necessary if user-generated external LOs are required.

### Controlling QM1004 Downconverters with Internal LOs (Option 100)

QM1004 Rack Mount Up/Downconverters with internal LOs have been designed to be VISA and USBTMC compliant. Any PC and operating system with Virtual Instrument Software Architecture (VISA) drivers installed should be able to communicate with QM1004 units. VISA drivers are provided by many Test and Measurement companies, including Agilent Technologies, National Instruments, and Tektronix. USB and TCP/IP communication and command structure is discussed in detail in the frequency conversion programming manual. A lightweight GUI, supported in Windows®, will be provided for units with internal LOs, providing control of all commonly used commands.

### Interface Connections

The necessary front and back panel input/output connections on a QM1004 Series frequency converter are summarized in Table 1. The front-panel connections are shown in Figure 2 while the rear-panel connections are shown in Figure 3. Interface connections for the optional Outdoor Unit are similar.



Figure 2. Front panel connections to QM1004-26-40.



Figure 3. Rear-panel connections to QM1004-26-40.



Table 1. Input and output connections for QM1004-26-40 (19" Rack-Mount Form-Factor)

Parameter	Connector Style	Type	Location
Upconverter IF Input	SMA	Female	Front Panel
Upconverter mmW Output	2.92 mm	Female	Front Panel
Downconverter mmW Input	2.92 mm	Female	Front Panel
Downconverter IF (I) Output	SMA	Female	Front Panel
Downconverter IF (Q) Output	SMA	Female	Front Panel
Reference Input (10-100 MHz)	BNC	Female	Rear Panel
Reference 1 Output (100 MHz)	BNC	Female	Rear Panel
Reference 2 Output (10 MHz)	BNC	Female	Rear Panel
LO1 Input (10-20 GHz)	SMA	Female	Front Panel
LO1 Int/Ext Switch	Toggle	SPDT Switch	Rear Panel
Int/Ext Ref Switch	Toggle	SPDT Switch	Rear Panel
USB/Ethernet Combined	RJ-45 (Ethernet) Type-A (USB)	Female	Rear Panel
Power Jack	2.1 mm Barrel	Male	Rear Panel
TTL Input (Frequency Tuning, Attenuation Control, Lock Status)	DB-37	Female	Rear Panel

**Power Interface**

The QM1004 Combined Up/Downconverter requires a DC input voltage of 15V applied at the 5.5mm power jack (2.5mm barrel) on the back panel of the instrument. An AC-DC power adapter is supplied with the unit.

**Absolute Maximums**

<b>Operating Temperature</b>	+40 °C
<b>mmW Input Power</b>	+2 dBm



**ELECTROSTATIC SENSITIVE DEVICE**  
**OBSERVE HANDLING PRECAUTIONS**

**Ordering Information**

QM1004-26-40-[Options]-[ODU]

where

Options= 100, 110, 200, 201, 204, 205, 206, 211, etc.

ODU= Optional Outdoor Unit Form-Factor